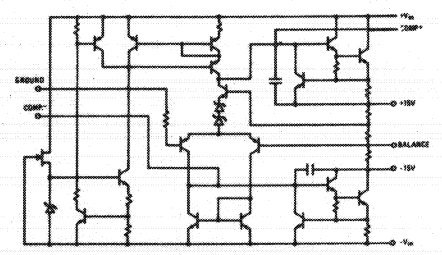
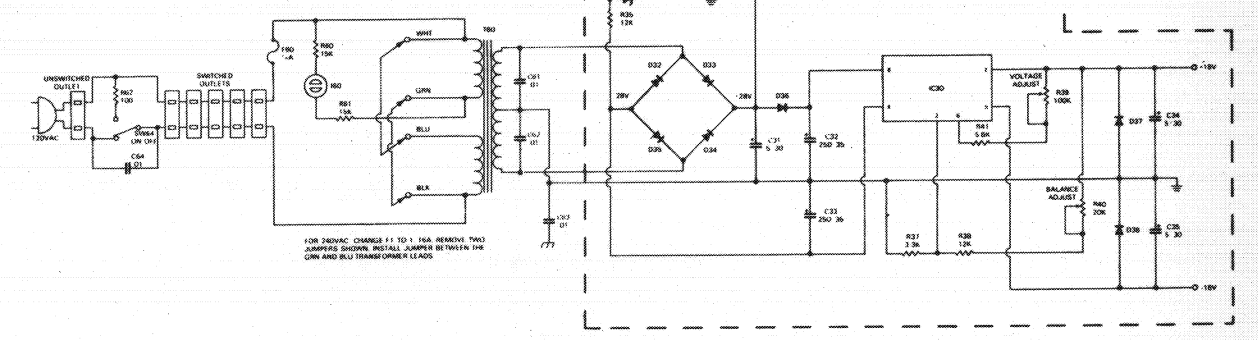
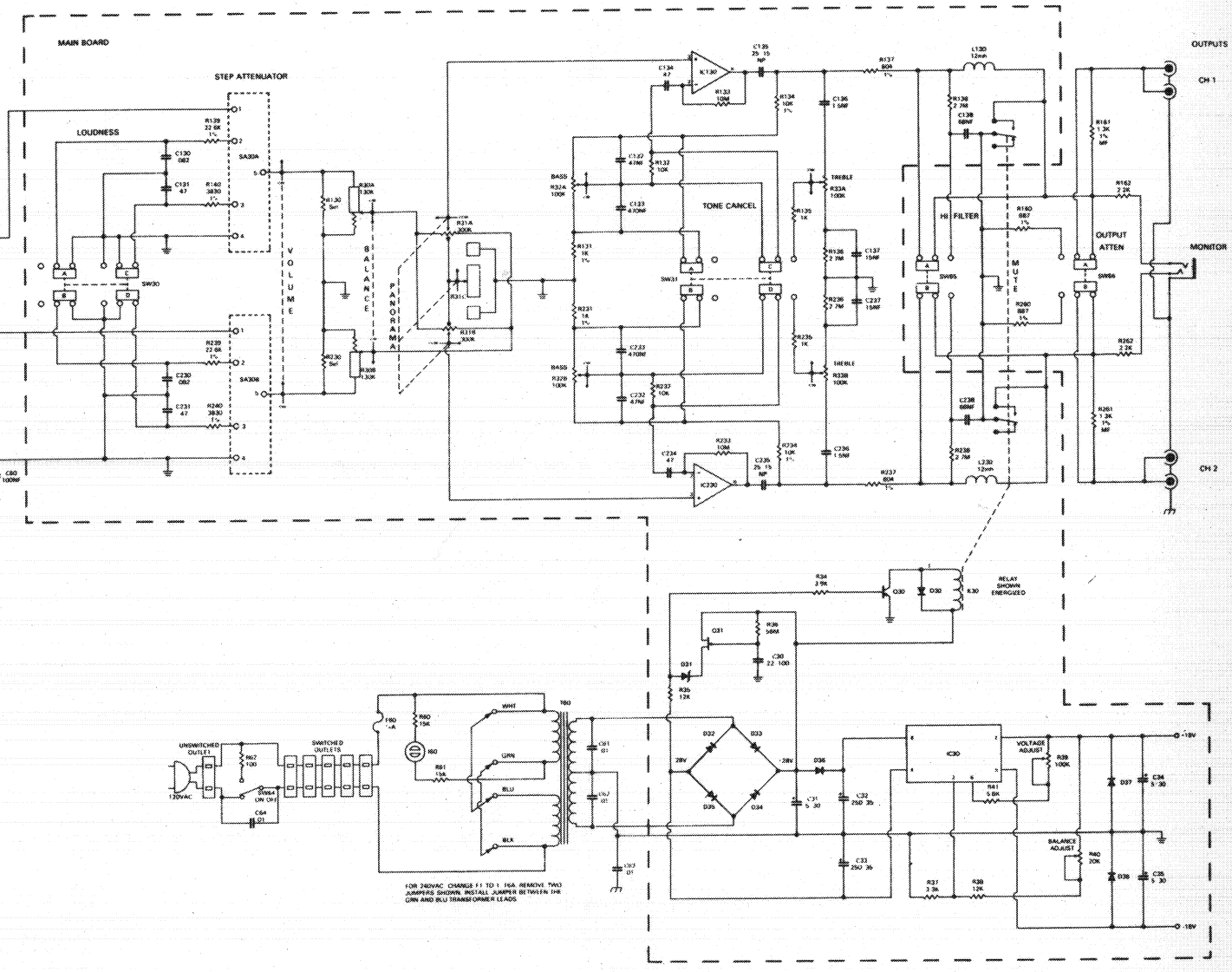
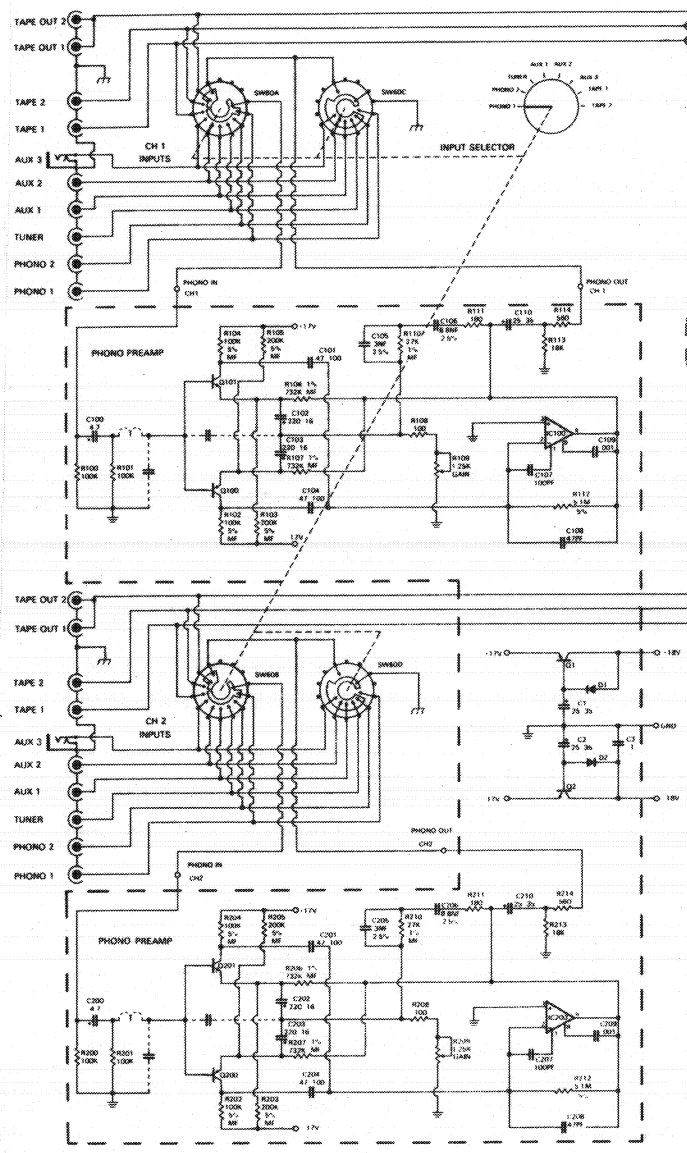


LM301



RC4195 DN

- NOTES:
1. This circuit starts SN IC-17201.
  2. This schematic applies only to board #4150. (SN 17201 to 18801 used a modified board #9558.)
  3. All resistors in ohms, all capacitors in mfd unless otherwise specified.
  4. Input selector shown in Phono 1 (full cue) looking from front panel.
  5. Tape Monitors 1 and 2 shown inactive (out).
  6. Lo Filter shown inactive (out).
  7. Loudness switch shown inactive (out).
  8. Balance control shown in normal position.
  9. Panorama shown in mono position.
  10. Tone Cancel switch shown in cancel (in) position.
  11. Hi Filter shown inactive (out).
  12. Output Attenuator shown in 0 db position.
  13. Schematic designations are as follows:  
Parts common to both channels 1-29 (Phono Board), 30-59 (Main Board), 60-99 (Chassis). The same number sequences preceded by 1 or 2 indicate left channel and right channel.
  14. In early units, the Balance control (R30A,B) was 500K, the Panorama control (R31A,B,C) was 1M.
  15. R139/239 and R140/240 may be mounted either on the PC board or on the step attenuator.



**CROWN IC 150A**  
 STARTS S/N IC-17201  
 MI-262