

INSTALLATION

CAUTION: To prevent equipment damage or personal injury, consider having someone assist you in lifting and positioning the amplifier.

The rack ears fit both 2- and 3-rack-space QSC amplifier models. The rack ears themselves are two rack spaces high, so in the rack they will be at the same height as the amplifier if it is a two-rack-space model. If the amplifier is three rack spaces high, the horizontal centerline of the rear rack ears will be at the same height as that of the amplifier.

Using the four 10-32 screws, attach the rack ears to the rear rack rails.

If the amplifier is a 2-rack-space EX or MXa Series model, it has screws on the upper outside edge which fasten the top cover to the chassis. Remove the rearmost screw on each side so it will not interfere with the rack ears.

Install the amplifier in the rack, using appropriate screws in all four front mounting holes. Provide temporary support for the amplifier at the rear. The rear chassis tabs must go on the inside of the rack ears.

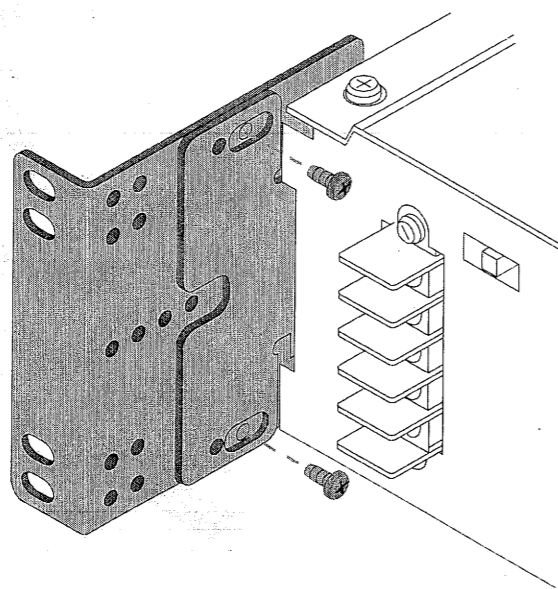


Figure 4

Place a lockwasher on a self-threading screw and insert the screw through one of the slots in a rear mounting tab, and into a hole in the rack ear (Figure 4). Make sure the screw is straight into the hole, and then drive the screw into the hole until the screw head is tight against the chassis tab.

NOTE: If you have a threadlocking compound such as Loctite® available, put a drop on the threads of the self-threading screw before you insert it into the rack ear; it will lubricate the screw as it cuts through the rack ear material, and when it dries it will provide a vibration-proof, secure fastening.

Repeat this process for the three other screws.

NOTE: On some models, the flange of the top cover will not allow the rack ear to sit perfectly flush against the chassis. This is normal and will not impair the integrity of the chassis or the rack ears.

QSC™

QSC™

HEAR THE POWER OF TECHNOLOGY.

ACCESSORY

Rear Rack Ears Installation Guide



INTRODUCTION

The rack ears in this package provide support for the rear of a QSC amplifier when used in an equipment rack having rear rails. QSC recommends their use, especially in portable or mobile applications, to prevent damaging the front rack mounting ears of the amplifier or the front rails of the equipment rack. Kit FG-000081-00 contains

two long ears (approx. 7 inches) and kit FG-000031-00 contains short ears (approx. 3 inches). The rack ears attach to the amplifier as shown in Figure 1.

These ears fit both 2- and 3-rack-space models and attach directly to the two mounting tabs on the rear corners of the amplifier chassis.

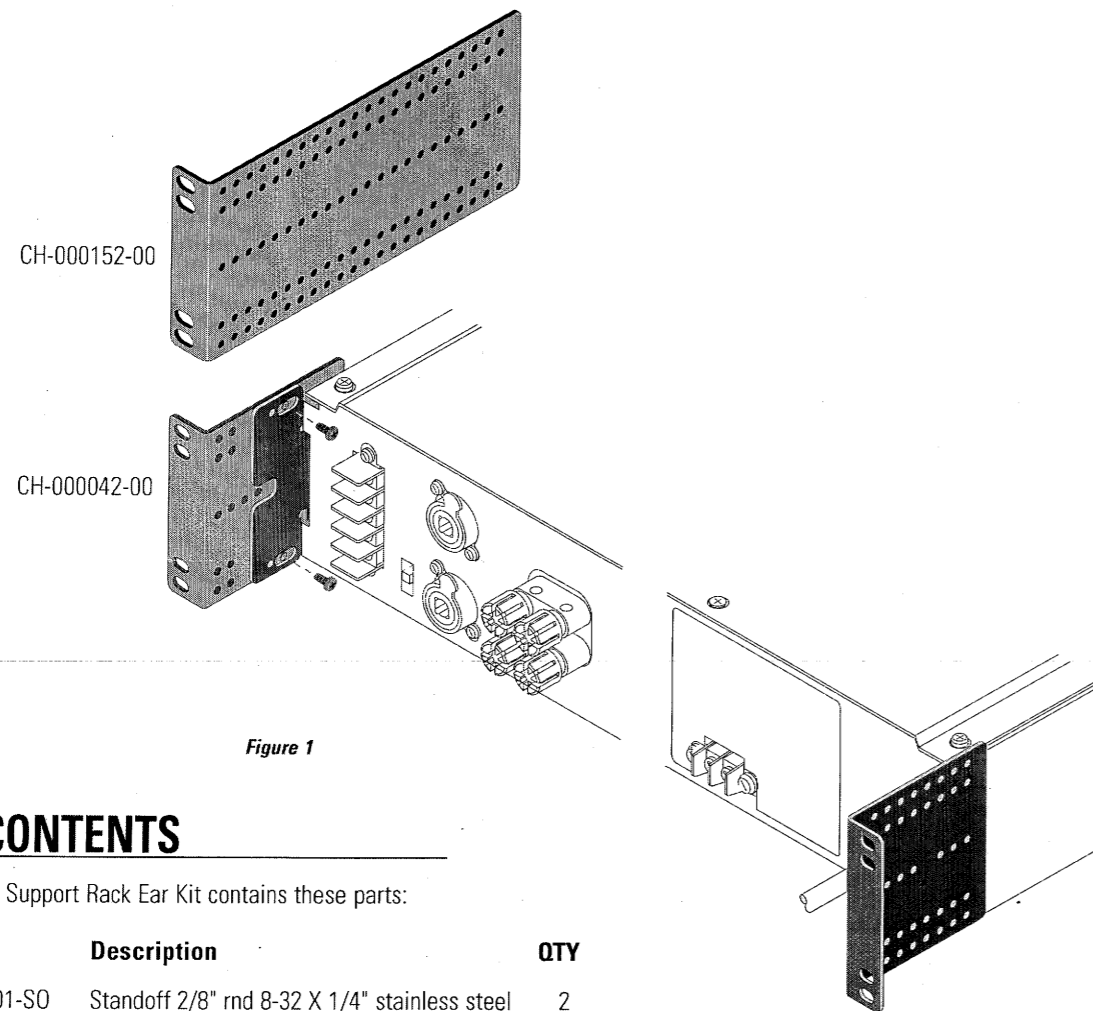


Figure 1

KIT CONTENTS

Each Rear Support Rack Ear Kit contains these parts:

Part #	Description	QTY
HW-080001-SO	Standoff 2/8" rnd 8-32 X 1/4" stainless steel	2
NW-080001-NW	#8 External tooth lockwasher, zinc	4
SC-083060-PP	#8-32 x 3/8" Philips screw, self-threading	4
SC-100061-PT	#10-32 x 5/16" Philips screw, black	4
SC-080061-PP	#8-32 X 3/8" Philips screw, black	2
CH-000042-00	3" Rear support rack ears	2 (kit FG-000031-00 only)
CH-000152-00	7" Rear support rack ears	2 (kit FG-000081-00 only)

The two right-angle rack ears fasten to the rear rack rails and to the rear chassis tabs of the amplifier.

The four 10-32 screws are for mounting the rack ears to the rear rails of the equipment rack.

The four silver 8-32 screws and the four lockwashers in this kit are for fastening the rear chassis tabs on the amplifier to the rear rack ears. These screws are self-threading and cut their own threads into the rear rack ears, so there are no nuts for these screws.

The two black screws and two standoffs are for use with newer models such as the PowerLight Series, which have a cutout on the rear edge of the rear chassis tabs. By fastening a standoff to a hole in the center row of the rack ears (Figure 2), you provide a temporary rear support for the amplifier when you install or remove the amplifier in the rack (Figure 3).

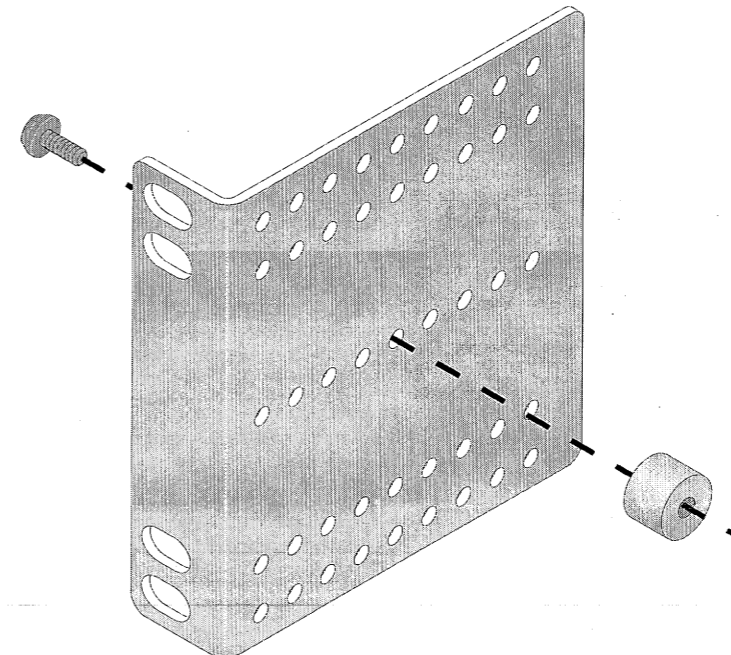


Figure 2

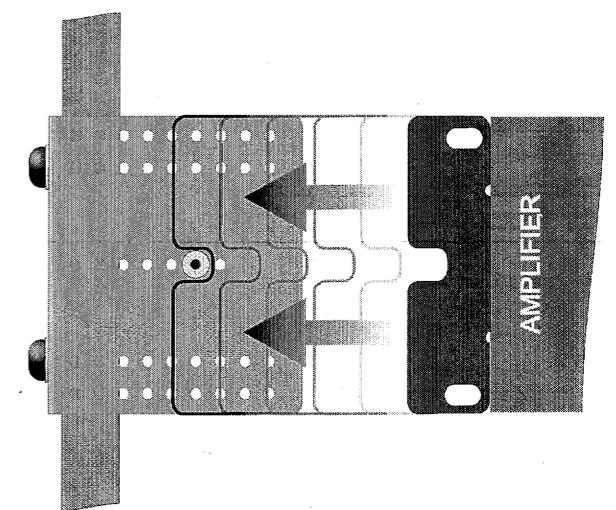


Figure 3